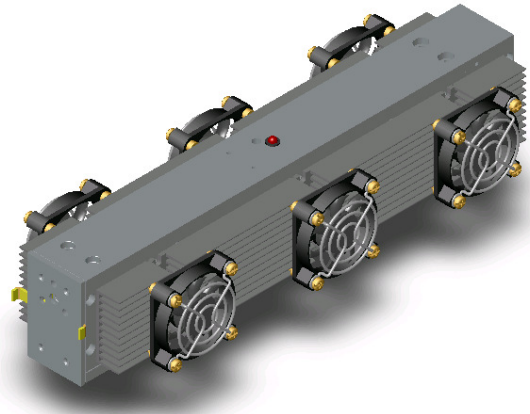


Low Power CO₂ Laser

Model L4 Specifications

Model	L4
Wavelength (μm)	10.3-10.8
CW Power (W)	1
Peak Power (W)	1
Power Stability	±15%
Mode Quality (M ²)	< 1.1
Beam Waist Diameter	2.4 mm
Full Div. Angle	5.5 mrad
Supply Voltage (DC)	12V 20W
Cooling Requirement	Air Cooled
Working Temperature	5-40° C
Dimensions (LxWxH, inch)	12.5x1.5x2.5



Factory warranty: One year for parts and labor due to manufacturing quality, regardless of laser usage

Options available:


- Fan cooled closed loop (Model L4S)
- Stabilization to ±2% (Model L4S)
- Grating Tuned (Model L4G)
- Linear polarization

* Includes DC power supply and RF driver & laser controller * Specifications subject to change without notice.
 * We strive to satisfy custom requirements. Please contact us if you have other special needs.

www.accesslaser.com



INVISIBLE LASER RADIATION-AVOID EYE OR SKIN EXPOSURE TO DIRECT OR SCATTERED RADIATION

 **Max power: 50W** **Wavelength: 9 - 12 μm**
 Class IV Laser Product